



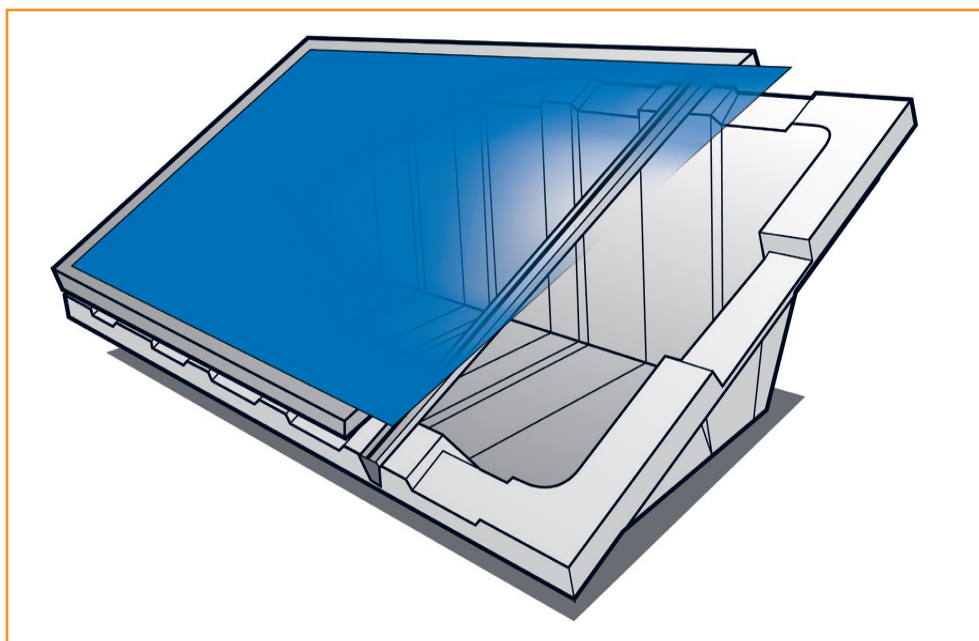
CONERGY

Photovoltaic mounting systems | Technical data

## Conergy SolarSimplex

Conergy SolarSimplex has been designed for simple, flexible and professional installation on flat roofs. The system consists of a plastic tub, two aluminium supporting bars and the necessary screws. Weight only about 4 kilograms, Conergy

SolarSimplex is easy to stack and transport. Mounting is limited to packing the tub with ballast, e.g. gravel or paving stones, and attaching the supporting bars and modules.



**Flexible application.** Conergy SolarSimplex is primarily designed for gravel-covered flat roofs. However, it can also be used with virtually all types of common rough roof covering<sup>1</sup>.

**Rapid mounting.** All components are pre-fitted according to the chosen PV module. Their light weight makes for simple and low-cost transportation to the roof. Integrated channels for cable routing further simplify assembly.

**Individual array.** The PV modules are placed individually, allowing the most diverse arrangements. As a result, Conergy SolarSimplex offers optimal adaptability to the given roof surface.

**High module compatibility.** The Conergy SolarSimplex allows easy flat roof mounting of virtually all conventional PV modules between 70 and 165 watt peak. For larger modules, an extension kit for the supporting rails can be obtained.

**Optimized design.** The space between the PV module and the Conergy SolarSimplex guarantees optimum rear ventilation. At the same time, the supporting bars guarantee good load transmission into the tub.

**Guaranteed durability.** Conergy provides a 10-year warranty on the durability of all materials.

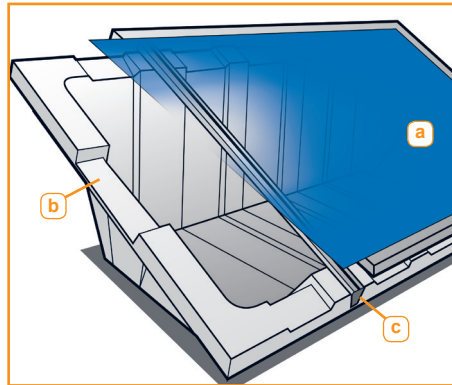
<sup>1</sup> For detailed information, please contact us during the planning stages of your project.

PHOTOVOLTAICS

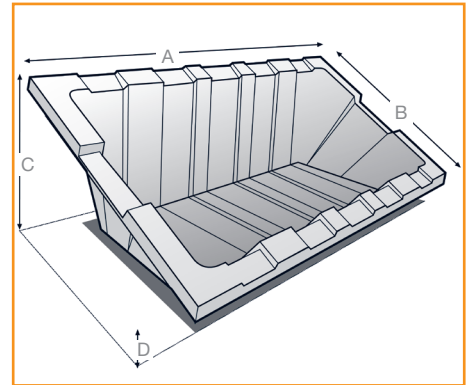


## Overview

- a** PV module
- b** Plastic tub
- c** Supporting bar



Oblique view



Dimensions see table below

<b>Range of application</b>	Flat roofs
<b>Roof covering</b>	Suitable for virtually all types of rough <sup>1</sup> roof covering
<b>Pitch</b>	25°
<b>Roof load</b>	Following clearance by structural engineer
<b>Height of building</b>	Up to 8 m
<b>Snow load</b>	Up to 0.75 kN/m <sup>2</sup> (2)
<b>PV modules</b>	Framed
<b>Module configuration</b>	Individual (one module per tub)
<b>Module orientation</b>	Landscape
<b>Size of module field</b>	Any size possible
<b>Positioning on the roof</b>	No special requirements <sup>2</sup>
<b>Plastic tub</b>	100 % chlorine-free, recycled polyethylene (HDPE)
<b>Supporting bars</b>	Extruded aluminium (ENAW 6060/6063)
<b>Small parts</b>	Stainless steel (V2A)
<b>Weight</b>	4–5 kg
<b>Colour</b>	Black
<b>Lightning protection</b>	Optional, with surcharge
<b>Warranty</b>	10 years on the durability of the material

Type	Dimensions (in mm)				necessary ballast <sup>3</sup>
	A	B	C	D	
<b>SolarSimplex 2.1</b>	1,350	730	440	100	59 kg
<b>SolarSimplex 2.2</b>	1,440	670	390	100	55 kg
<b>SolarSimplex 2.3</b>	1,250	860	480	90	60 kg
<b>SolarSimplex 4.1</b>	1,600	800	450	85	73 kg
<b>SolarSimplex 4.2</b>	1,200	1,050	550	80	68 kg
<b>SolarSimplex 6.2</b>	1,680	1,047	550	80	98 kg

Type	Hole intervals in module frame (in mm)		
	without		with extension set
	min	max	max
<b>SolarSimplex 2.1</b>	591	711	781
<b>SolarSimplex 2.2</b>	531	651	721
<b>SolarSimplex 2.3</b>	721	841	911
<b>SolarSimplex 4.1</b>	661	781	851
<b>SolarSimplex 4.2</b>	895	1,015	1,085
<b>SolarSimplex 6.2</b>	895	1,015	1,185

<sup>1</sup> For detailed information, please contact us during the planning stages of your project.  
<sup>2</sup> Please note: Wind loads can be considerably increased when installing in edge and corner-areas of the roof. For detailed information, please contact us during the planning stages of your project.  
<sup>3</sup> Attention: Other values may be required depending on the site and roof type. For further information, please contact a local structural engineer.

Your specialist supplier: